

Cyber Coach Free Resource

Public Domain Document

Cover Sheet: cc_O_wt01

Date published to web: 5/01/2000

Discussion ID: WT1

Courtesy of:

Document Title: Wing T Offense

Season(s) used: 2000

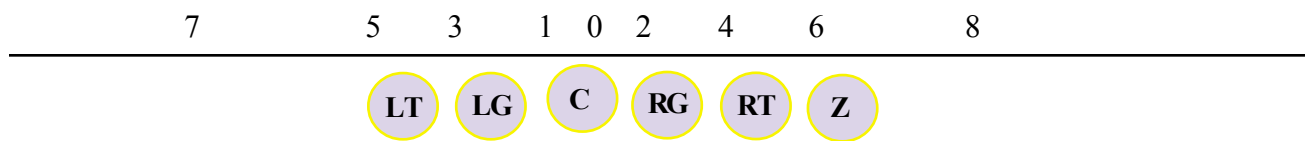
Age Group: 10-14 yrs

Grade(s): 4th through 7th

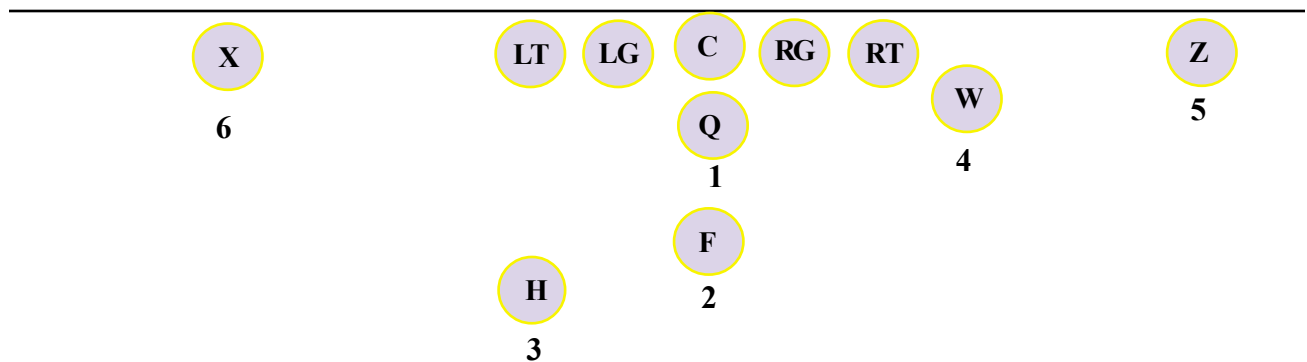
Description: Wing T Offensive Plays. These plays represent a base offense that can be extrapolated into a total offensive scheme.

Numbering System

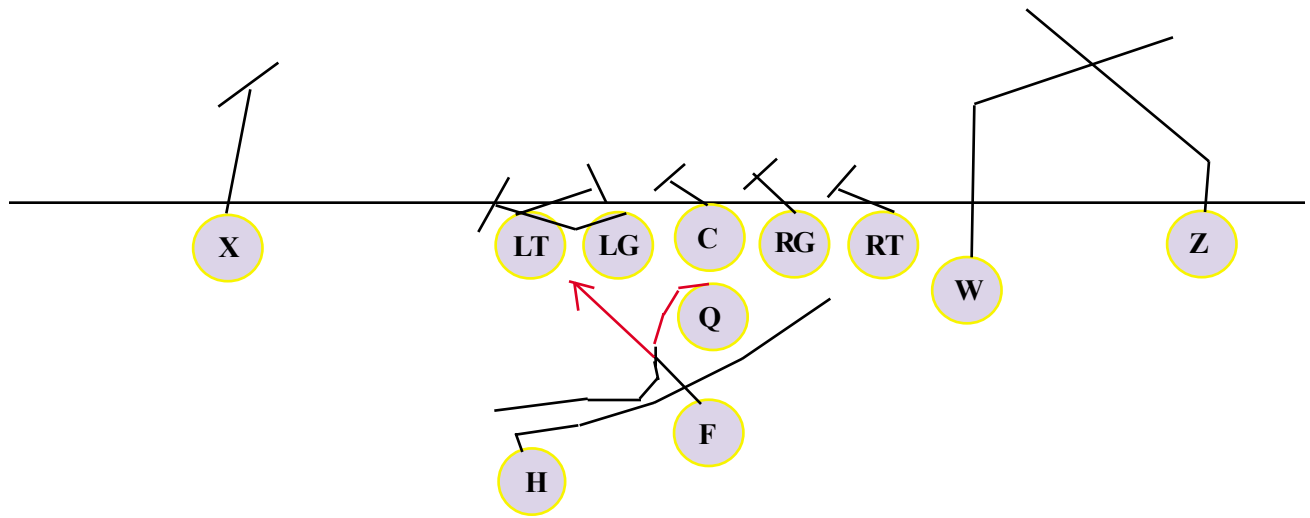
The following are how the holes in the offensive line are numbered. Right even, Left odd.



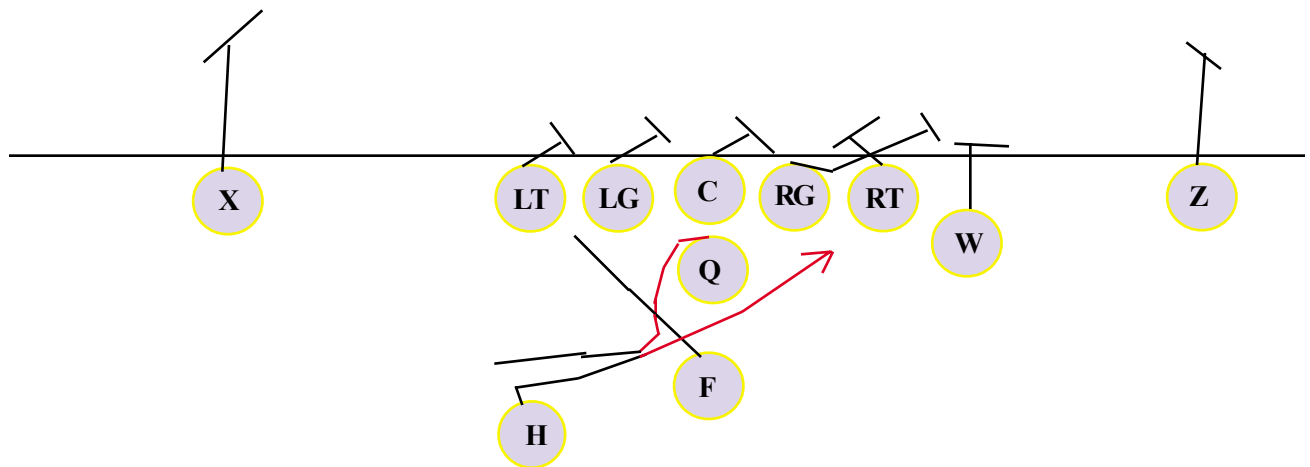
The following are how the offensive backs are numbered.



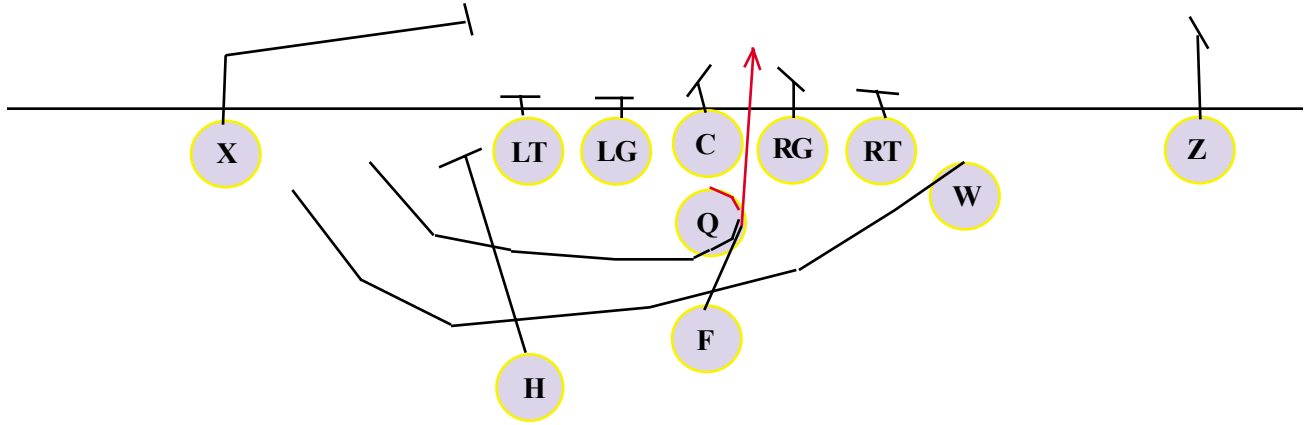
23 Cross Buck



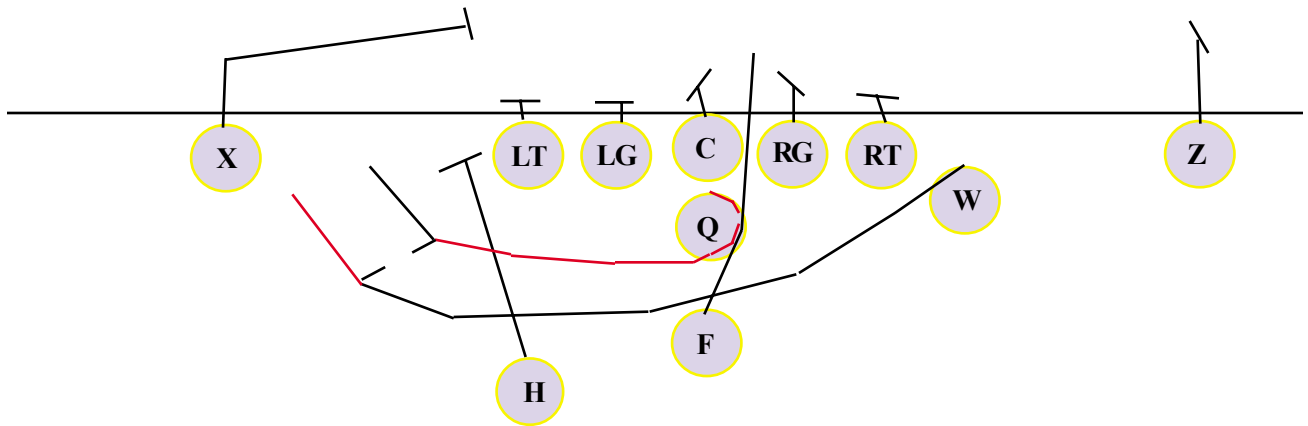
34 Cross Buck



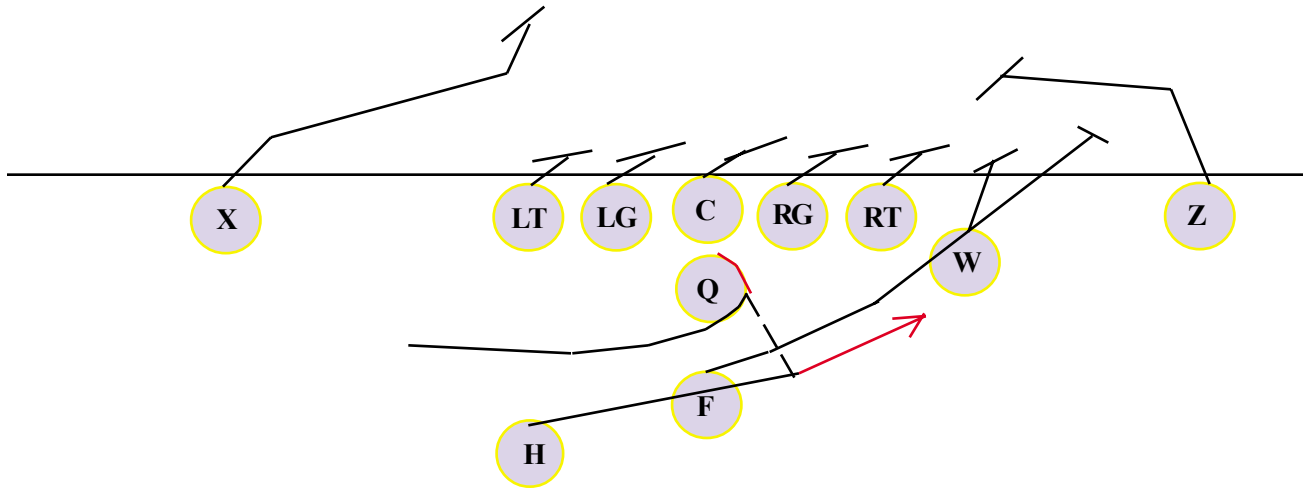
22 Reverse Option



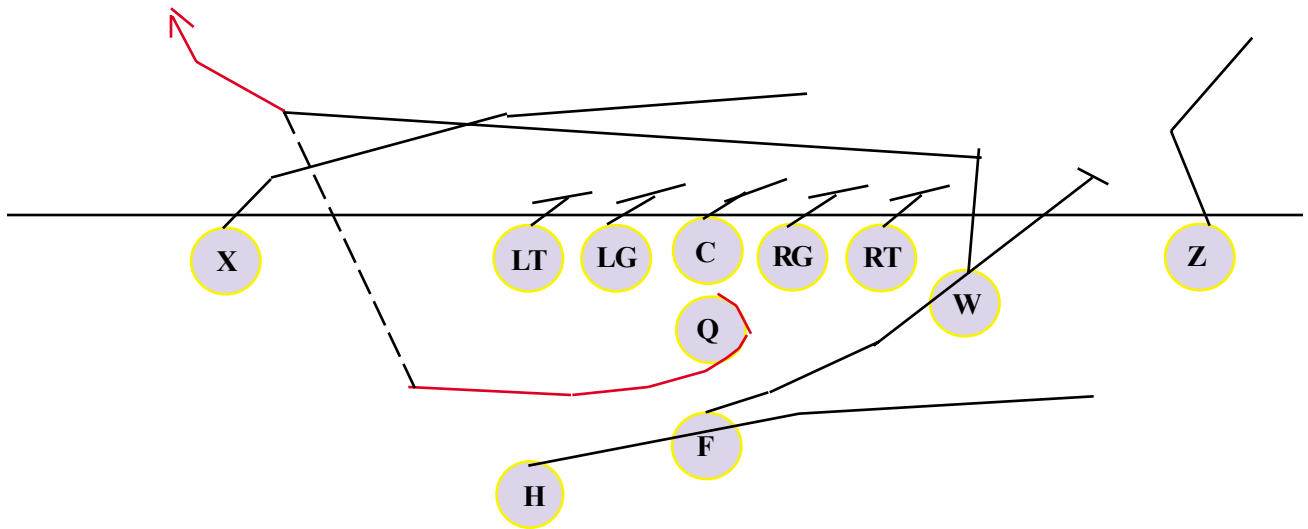
49 Reverse Option



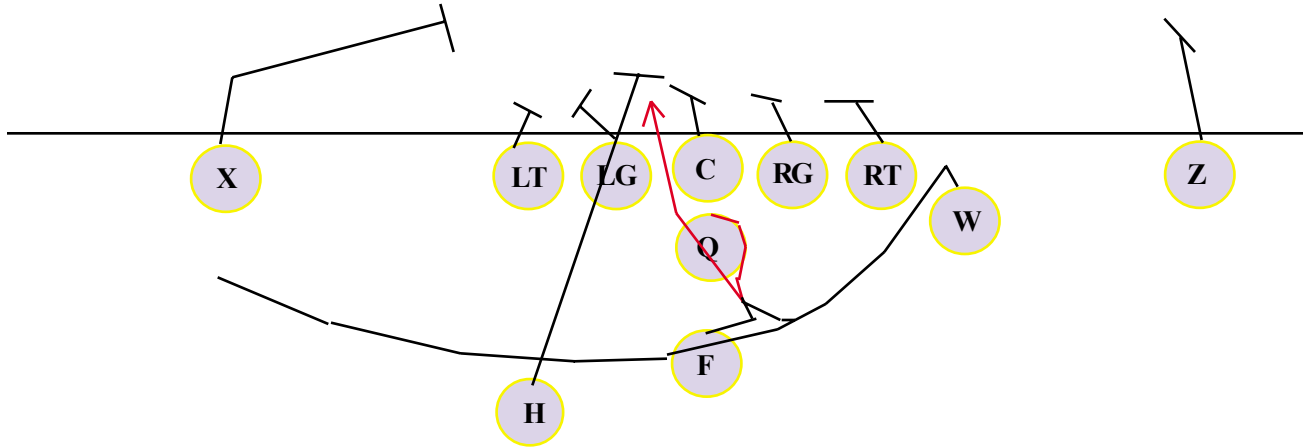
38 Pitch



Fake 38 Pitch, 19 Boot



21 Power



49 Power Reverse

